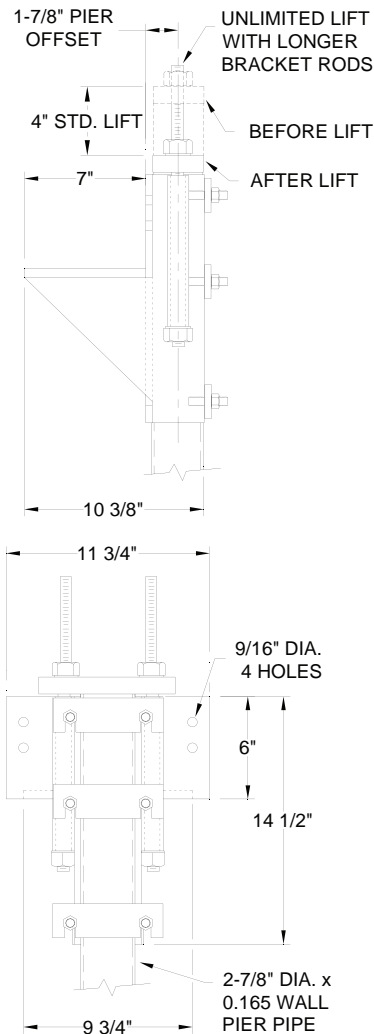
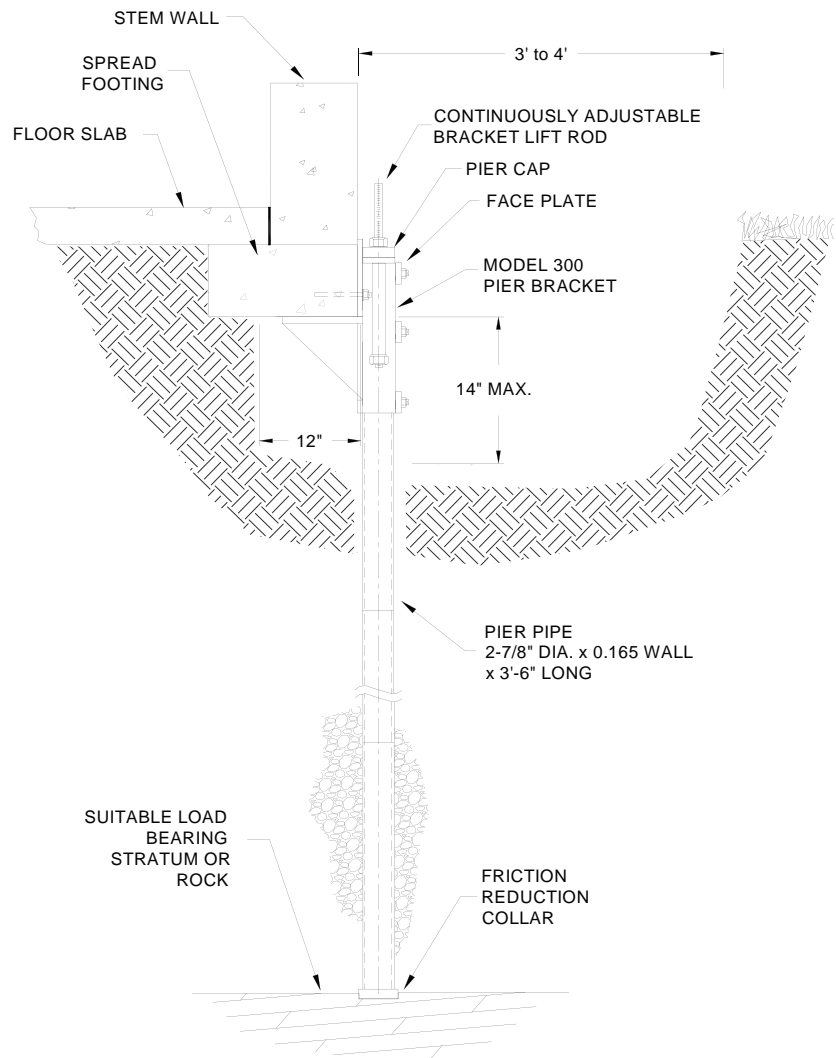




ECP Steel Pier™ - Model 300 Pier System



**Model 300
Utility Bracket Details**



**Model 300 Utility Bracket
Application Drawing**

- Ultimate Capacity – 79,000 lb
- Standard Lift – 4"
- Fully Adjustable Unlimited Lift Capability
- Installs From Outside or Inside Structure
- Installs With Portable Equipment
- Installed With Little or No Vibration
- Installs To Rock or Verified Load Bearing Stratum
- 100% of Piers Field Load Tested During Installation

**EARTH
CONTACT
PRODUCTS**

1-866-327-0007

15612 S Keeler Terr.
Olathe, Ks 66062
Phone: 913-393-0007
Fax: 913-393-0008
info@getecp.com
www.getecp.com

ECP